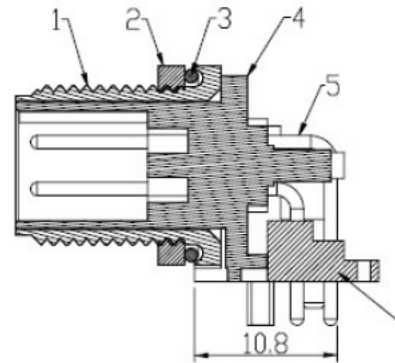


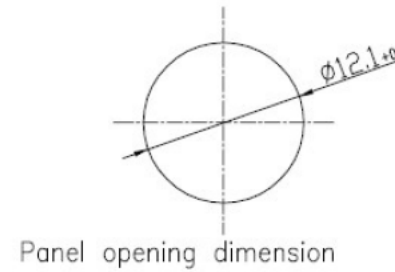
P.C.B. PATTERN LAYOUT

Connector Spec.
1. RoHS

- Connector Spec.
 1. RoHS
 2. Water Proof: IP67
 3. Operating Temp. : -40°C - +85°C
 4. Mating Life: >500 times
 5. Rated Voltage: 250V
 6. Rated Current: 4A
 7. Insulator material: PA
 8. Contact Material: Tin bronze plated gold 0.1um.
 9. Contact Resistance: ≤3mΩ





SECTION:A-A



Panel opening dimension

| | | |
|-----|--------------|------------------------|
| 6 | SET PIECE | PA,BLACK |
| 5 | CONTACT PIN | COPPER ALLOY,PLATED-Au |
| 4 | INSULATOR | PA,BLACK |
| 3 | SEALING RING | NBR,BLACK |
| 2 | NUT | COPPER ALLOY,PLATED-Ni |
| 1 | OUTER SHELL | COPPER ALLOY,PLATED-NI |
| No. | Name | Material |

| | | |
|---|-------------------|---|
| TOLERANCE | |  |
| SCALE | UNIT mm | |
| DRAW Walter | DATE 18.5.2023 | TITLE SM C10 PM-S44-M422-D |
| CHECK Vanda | REV | DESCRIPTION Connector M12, D-code, 4pin, Receptacle, Male PCB |
|  | | |